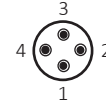


METAL M30 SERIES

ARTICLE PROPERTIES

SENSOR TYPE	Ultrasonic sensor	CONNECTION TYPES (see table)
SIZE	M30x1	• M12 connector
RATED OPERATING DISTANCE	see table	
NUMBER OF CONDUCTORS	4-wire (see table)	



MECHANICAL DATA

MOUNTING (mounting nuts included in delivery)	flush (see table)
HOUSING	metal
MATERIAL HOUSING	brass nickel-plated
MATERIAL SENSING SURFACE	glass epoxy
TIGHTENING TORQUE LOCKING	2 Nm
STANDARD TEST	FE360

ELECTRICAL DATA

OPERATING VOLTAGE	DC: 15 ... 30 V DC
LOAD IMPEDANCE	$U / > 1k\Omega$
SWITCHING FREQUENCY	see table
SWITCHING OUTPUT	see table
FUNCTION INDICATOR	yellow LED
REPEATABILITY	$\pm 0.5\%$
LINEARITY	$\pm 1\%$
SHORT-CIRCUIT PROTECTION	yes
OVERLOAD RESISTANCE	yes
REVERSE POLARITY PROTECTION	yes

ENVIRONMENTAL CONDITIONS

PROTECTION CLASS	IP67	VIBRATION RESISTANCE (EN 60068-2-27)	55 Hz, 1 mm
AMBIENT TEMPERATURE	-25 ... 70 °C	SHOCK RESISTANCE (EN 60068-2-6)	30g/11 ms

STANDARDS AND DIRECTIVES

LOW-VOLTAGE SWITCHGEAR AND CONTROLGEAR	DIN EN IEC 60947-5-2:2021-04
---	------------------------------

APPROVALS



METAL M30 SERIES

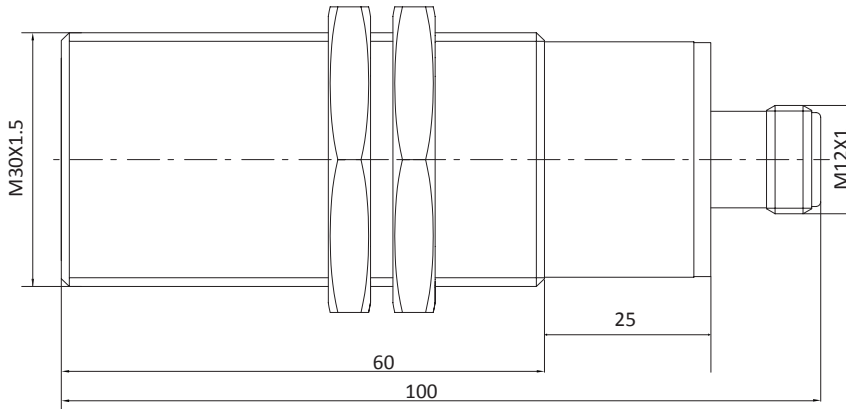
4-WIRE OUTPUT M12 CONNECTOR

Article number	Mounting	Rated operating distance Sn	Switching output (wiring diagram)	Switching frequency	Resolution	Dimensions
UKS3000-G30-VN7L-Q12	flush	180 ... 3000 mm	NPN NO/NC (WD1)	9 Hz	1 mm	see Fig. 1
UKS3000-G30-VP7L-Q12	flush	180 ... 3000 mm	PNP NO/NC (WD1)	9 Hz	1 mm	see Fig. 1
UKS4000-G30-VN7L-Q12	flush	200 ... 4000 mm	NPN NO/NC (WD1)	3 Hz	1 mm	see Fig. 1
UKS4000-G30-VP7L-Q12	flush	200 ... 4000 mm	PNP NO/NC (WD1)	3 Hz	1 mm	see Fig. 1
UKS3000-G30-LI7L-Q12	flush	180 ... 3000 mm	Analog 4 ... 20 mA (WD2)	9 Hz	1 mm	see Fig. 1
UKS4000-G30-LI7L-Q12	flush	200 ... 4000 mm	Analog 4 ... 20 mA (WD2)	3 Hz	1 mm	see Fig. 1
UKS3000-G30-LU17L-Q12	flush	180 ... 3000 mm	Analog 0 ... 5 V (WD3)	9 Hz	1 mm	see Fig. 1
UKS3000-G30-LU27L-Q12	flush	180 ... 3000 mm	Analog 0 ... 10 V (WD3)	9 Hz	1 mm	see Fig. 1
UKS4000-G30-LU17L-Q12	flush	200 ... 4000 mm	Analog 0 ... 5 V (WD3)	3 Hz	1 mm	see Fig. 1
UKS4000-G30-LU27L-Q12	flush	200 ... 4000 mm	Analog 0 ... 10 V (WD3)	3 Hz	1 mm	see Fig. 1

METAL M30 SERIES

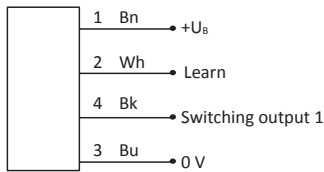
DIMENSIONS

Fig. 1 Ultrasonic with M12 connector (flush)

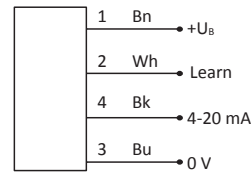


WIRING DIAGRAMS

WD1 NO/NC



WD2 Analog 4 ... 20 mA



WD3 Analog 0 ... 5 V/0 ... 10V

